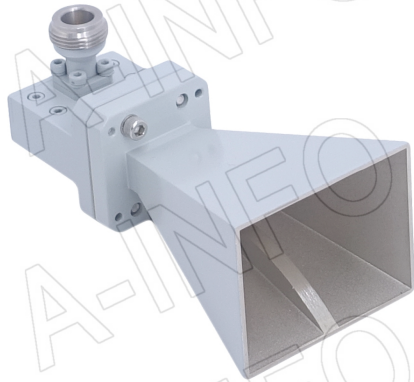


For reference only. See data sheet for the detailed specifications.

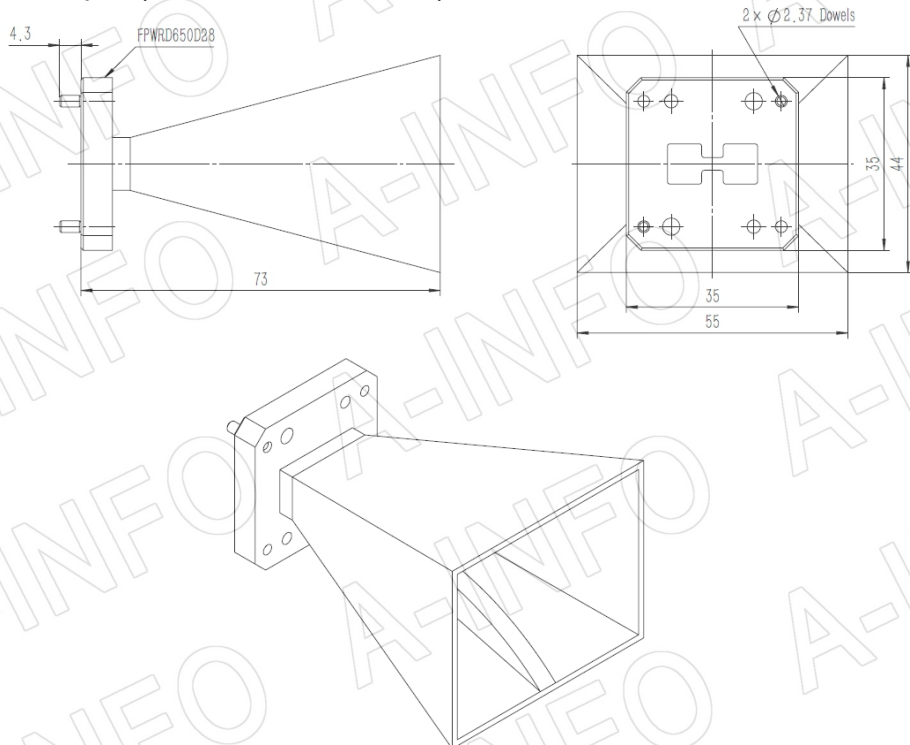
Technical Specification



Frequency Range(GHz)	6.0 – 18.0
Gain(dBi)	10 Typ.
Polarization	Linear
3dB Beamwidth(deg)	E Plane: 58 - 24
	H Plane: 54 - 25
Cross Pol. Isolation(dB)	35 Typ.
VSWR	1.5:1 Typ.
Output	A Type: FPWRD650D28
	C Type: N-Female or SMA-Female or High Power N-Female
Power Handling(W CW)	N-F: 150 Max.
	SMA-F: 50 Max.
	HP N-F: 500 Max.
Material	Al
Finish	Nickel Plated and Passivation, Gray Paint
Size(mm)	A Type: 55 x 44 x 73
	C Type: 55 x 55.1 x 109
Net Weight(Kg)	A Type: 0.06 Around
	C Type: 0.23 Around

Outline Drawing (Size: mm)

FPWRD650D28 Output (P/N: LB-60180-10-A)



AINFO Inc.

China(Beijing): Tel: (+86) 10-6266-7326,
China(Chengdu): Tel: (+86) 28-8519-2786,
USA : Tel: (+1) 949-639-9688,

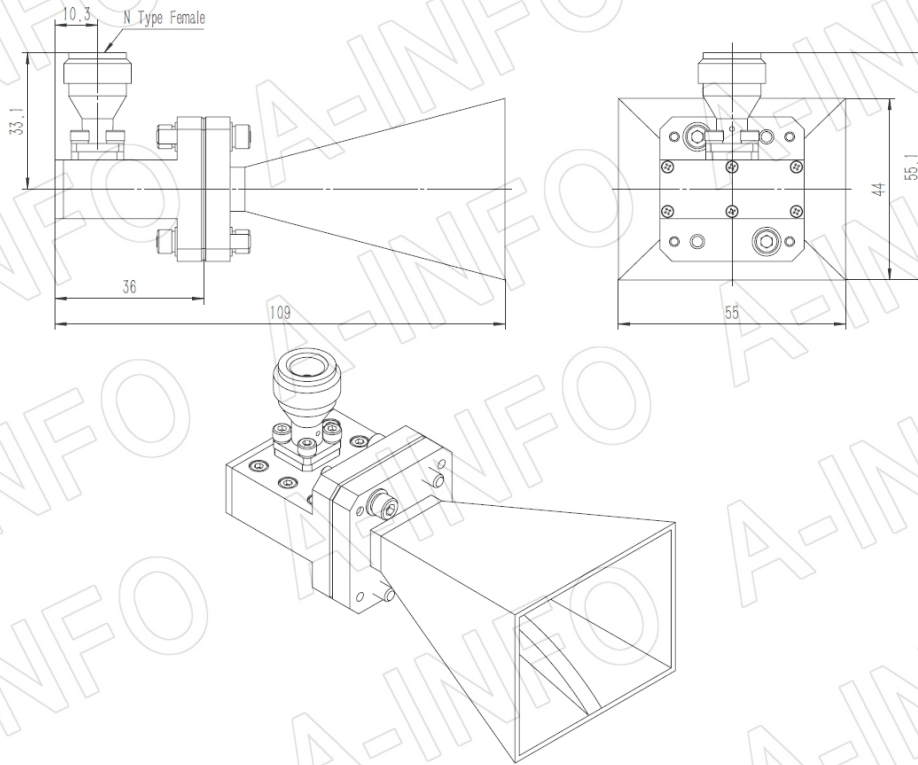
Page 1 of 13

(+86) 10-6266-7327 Fax: (+86) 10-6266-7379
(+86) 28-8519-3044 Fax: (+86) 28-8519-3068
(+1) 949-639-9608 Fax: (+1) 949-639-9670

Website: www.ainfoinc.com
Email: sales@ainfoinc.com

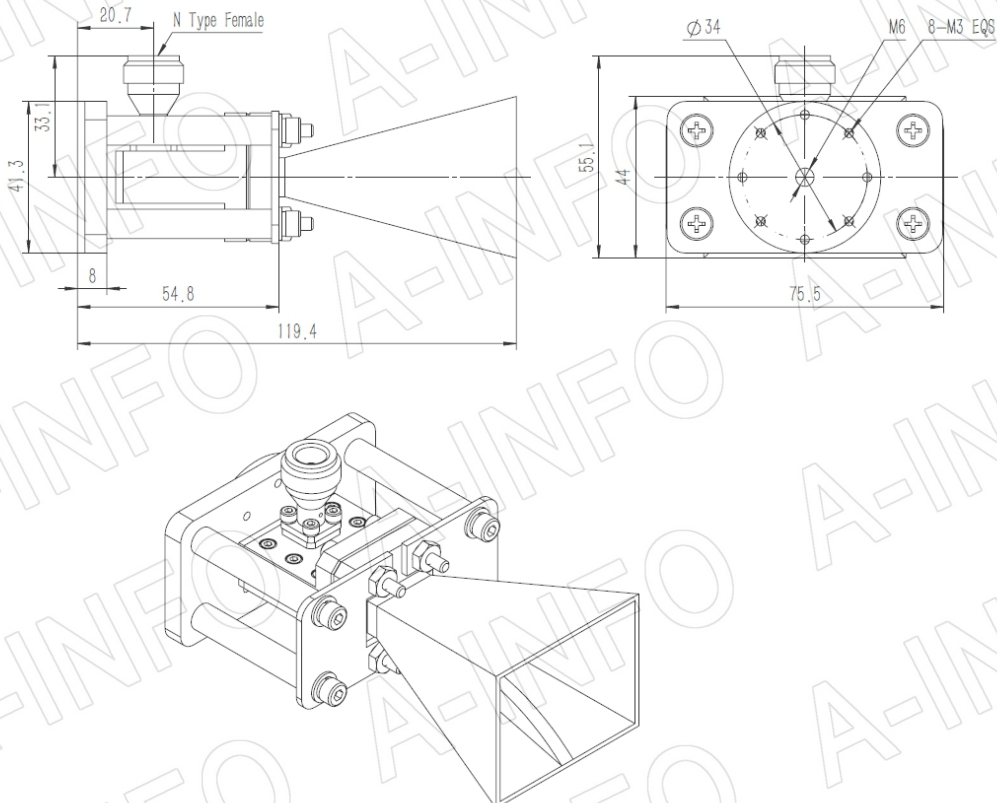
N-Female Output (P/N: LB-60180-10-C-NF)

For SMA-Female or High Power N-Female output outline drawing, please contact A-INFO.



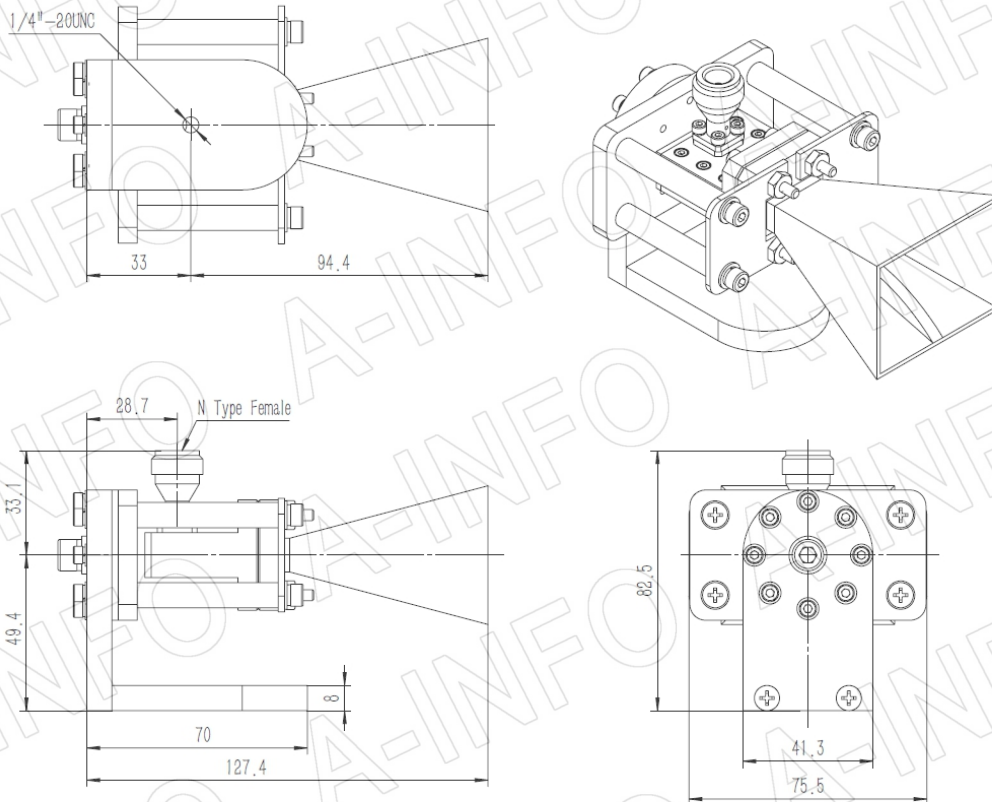
N-Female Output with Round Mounting Bracket (Option, P/N: LB-65180-10-C-MB)

For SMA-Female or High Power N-Female output outline drawing, please contact A-INFO.

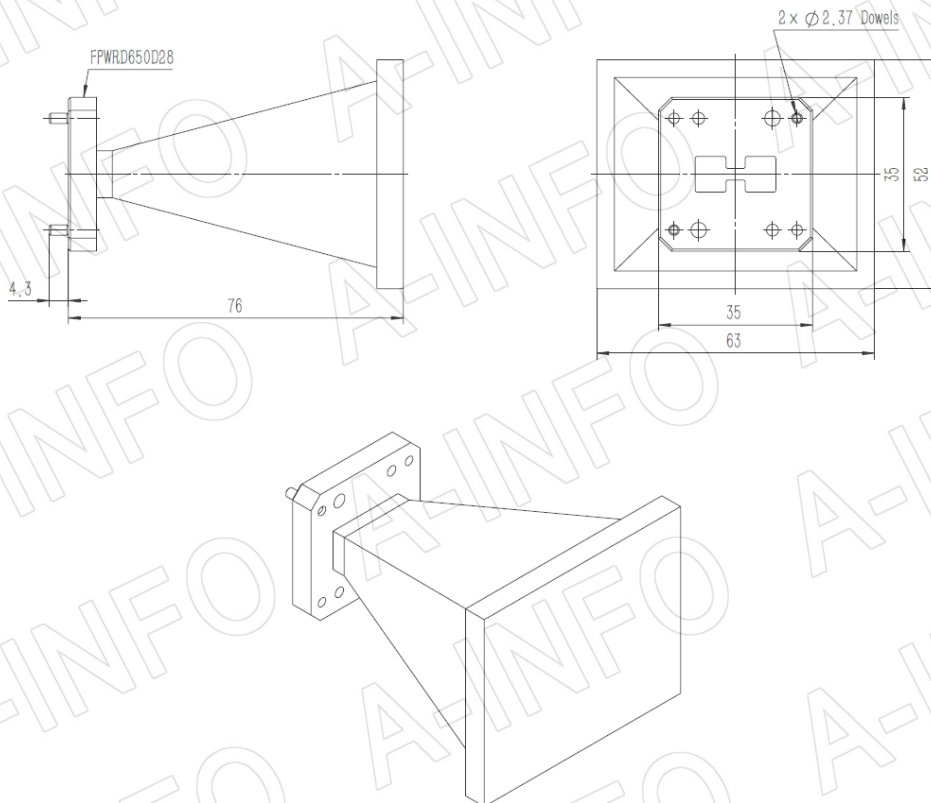


N-Female Output with L Type Mounting Bracket (Option, P/N: LB-65180-10-C-MBL)

For SMA-Female or High Power N-Female output outline drawing, please contact A-INFO.

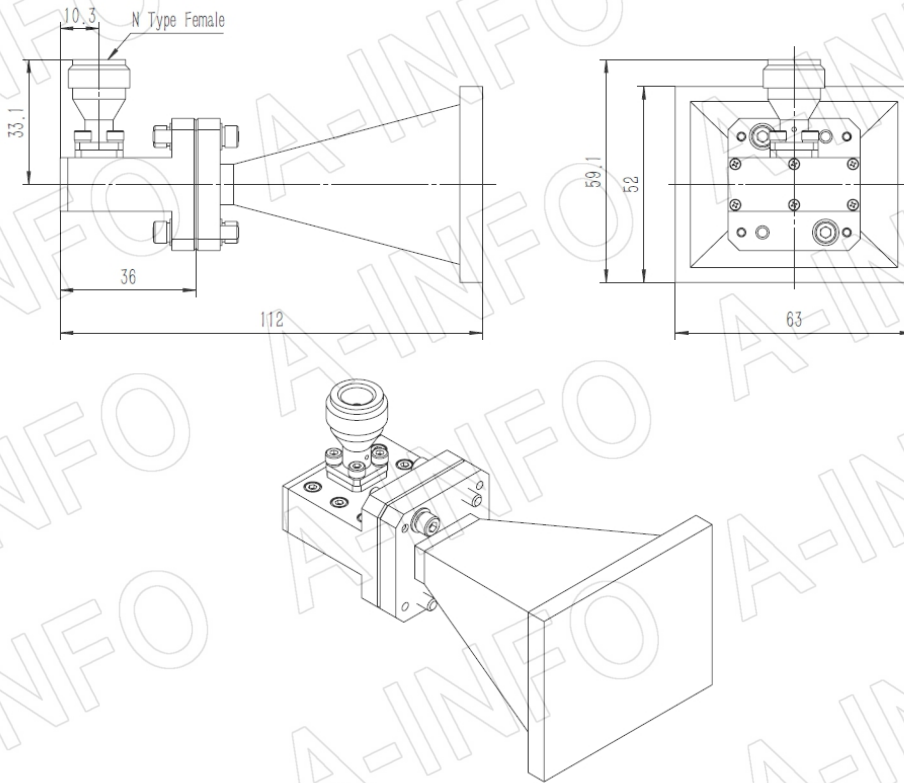


FPWRD650D28 Output with Radome (Option, P/N: LB-60180-10-ASPO, Application Outdoor)



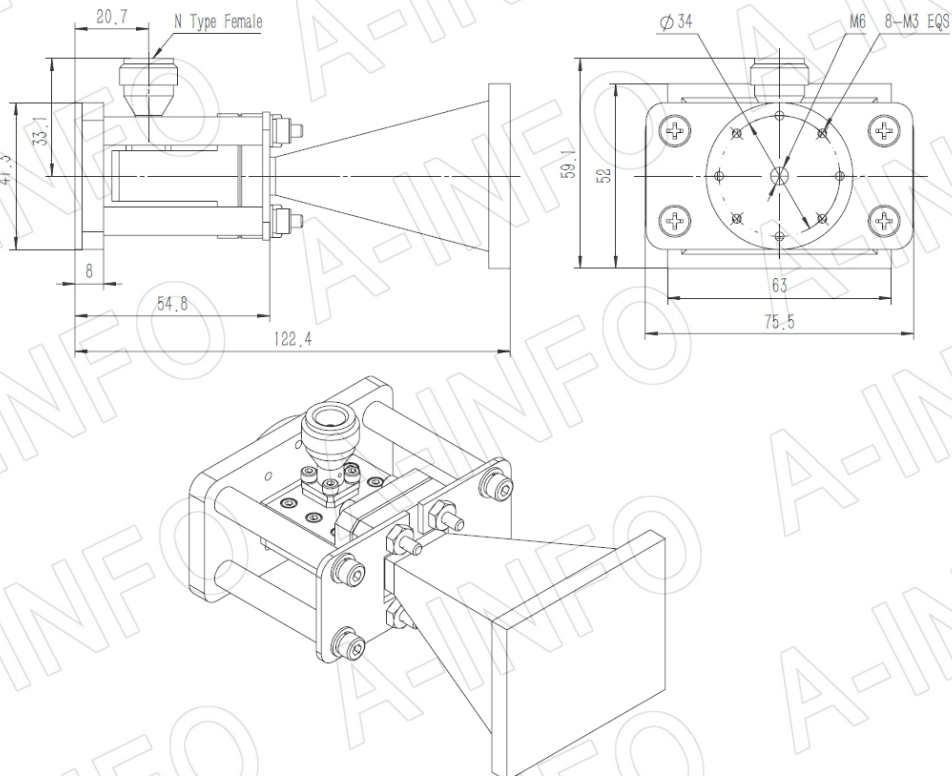
N-Female Output with Radome (Option, P/N: LB-60180-10-C-NFSPO, Application Outdoor)

For SMA-Female or High Power N-Female output outline drawing, please contact A-INFO.



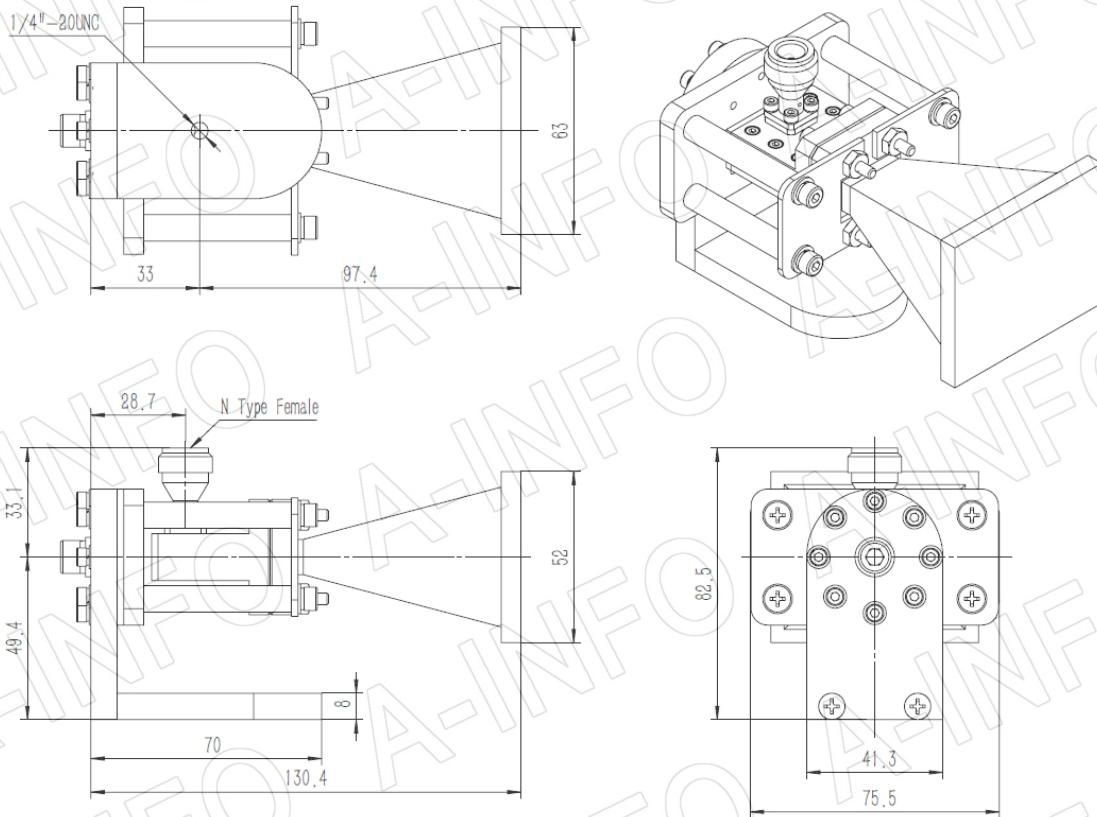
N-Female Output with Round Mounting Bracket & Radome (Option, P/N: LB-65180-10-C-MB & LB-60180-10-C-NFSPO, Application Outdoor)

For SMA-Female or High Power N-Female output outline drawing, please contact A-INFO.



N-Female Output with L Type Mounting Bracket & Radome (Option, P/N: LB-65180-10-C-MBL & LB-60180-10-C-NFSP0, Application Outdoor)

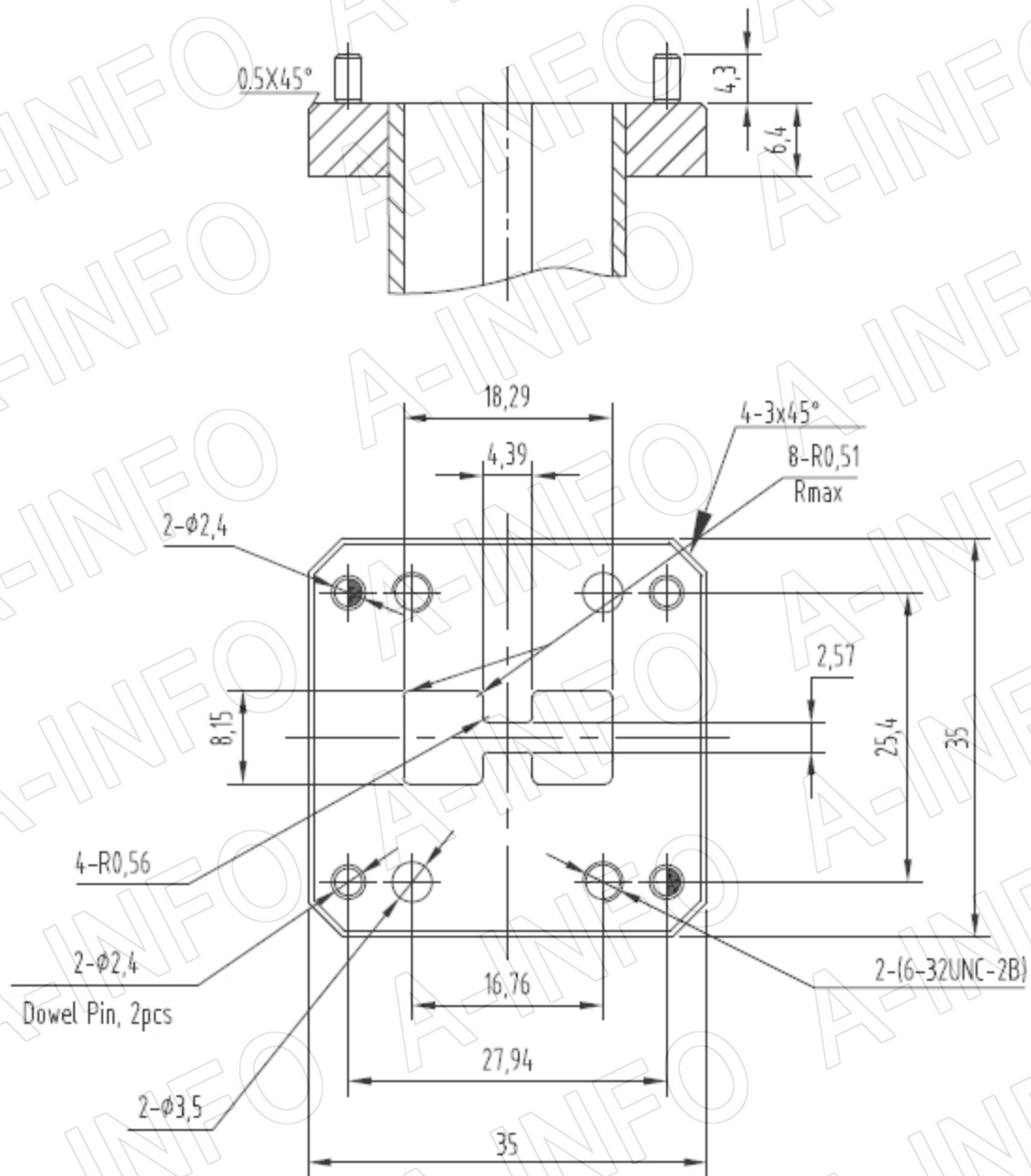
For SMA-Female or High Power N-Female output outline drawing, please contact A-INFO.



Flange Drawing (Size: mm)

FPWRD650D28

(With two through mounting holes and two screws holes)



AINFO Inc.

China(Beijing): Tel: (+86) 10-6266-7326,
 China(Chengdu): Tel: (+86) 28-8519-2786,
 USA : Tel: (+1) 949-639-9688,

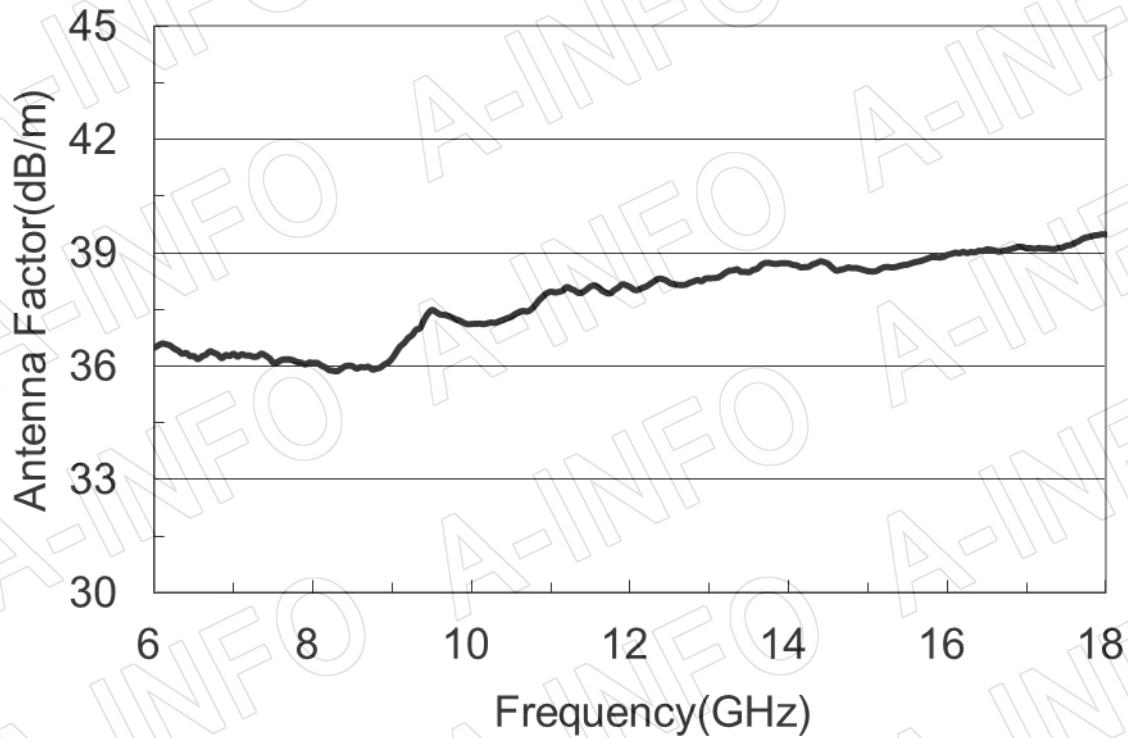
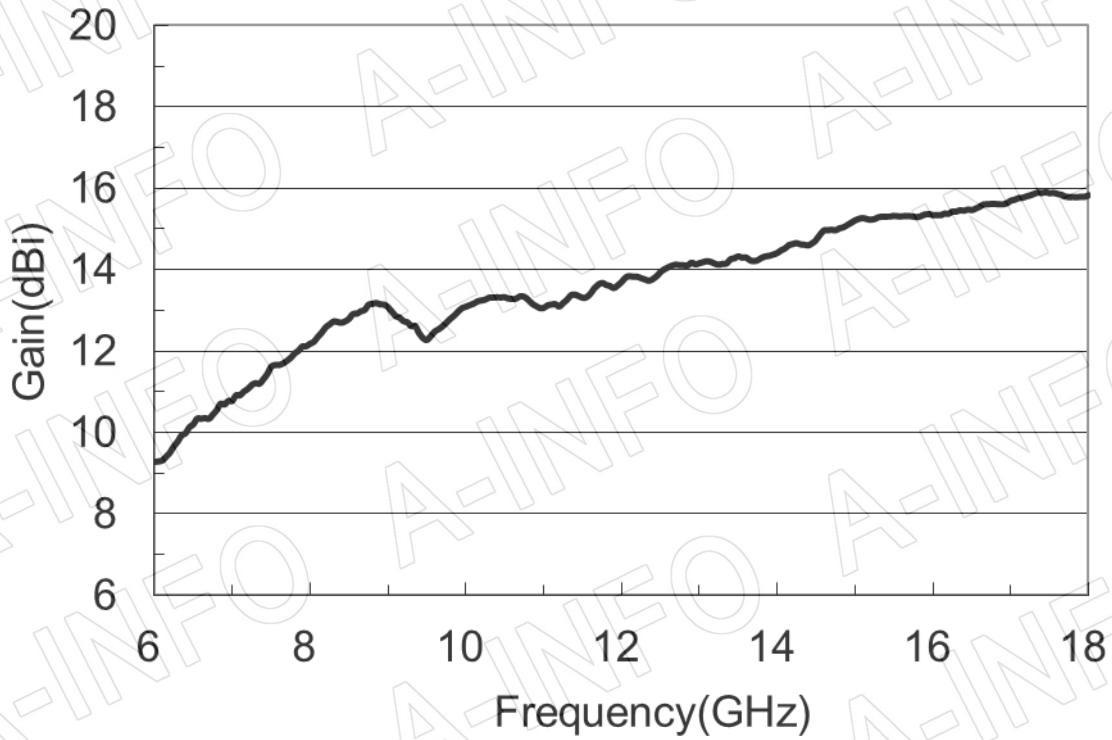
Page 6 of 13

(+86) 10-6266-7327 Fax: (+86) 10-6266-7379
 (+86) 28-8519-3044 Fax: (+86) 28-8519-3068
 (+1) 949-639-9608 Fax: (+1) 949-639-9670

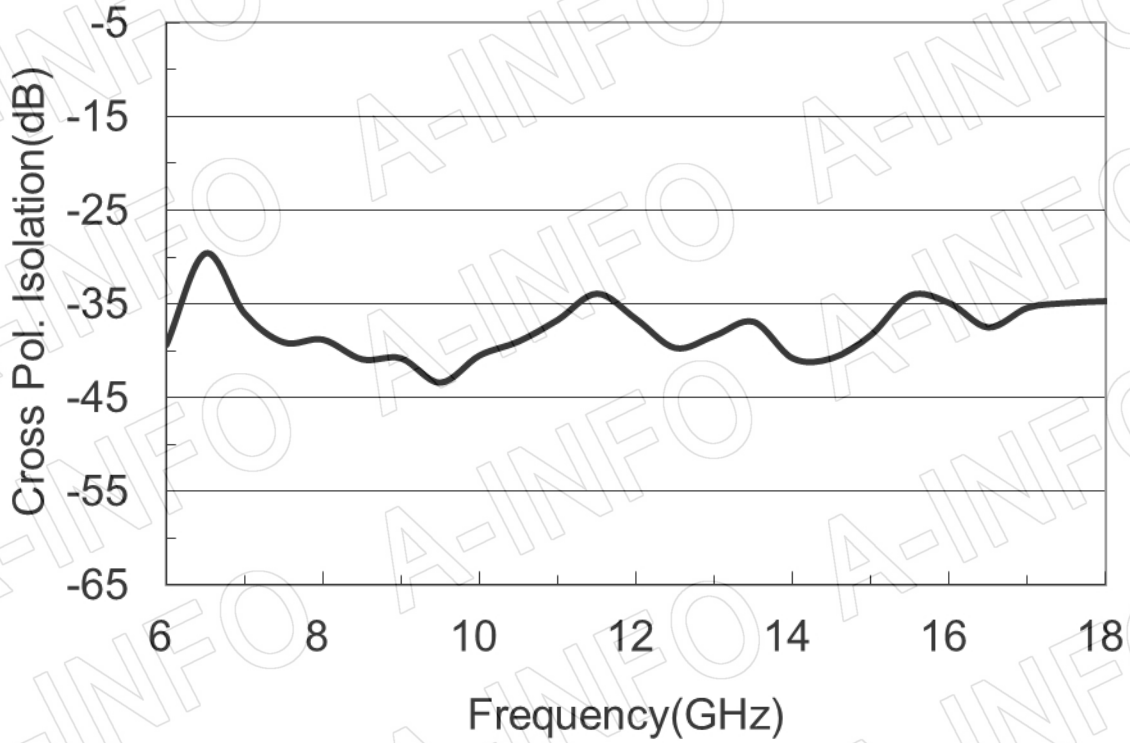
Website: www.ainfoinc.com
 Email: sales@ainfoinc.com

Test Results

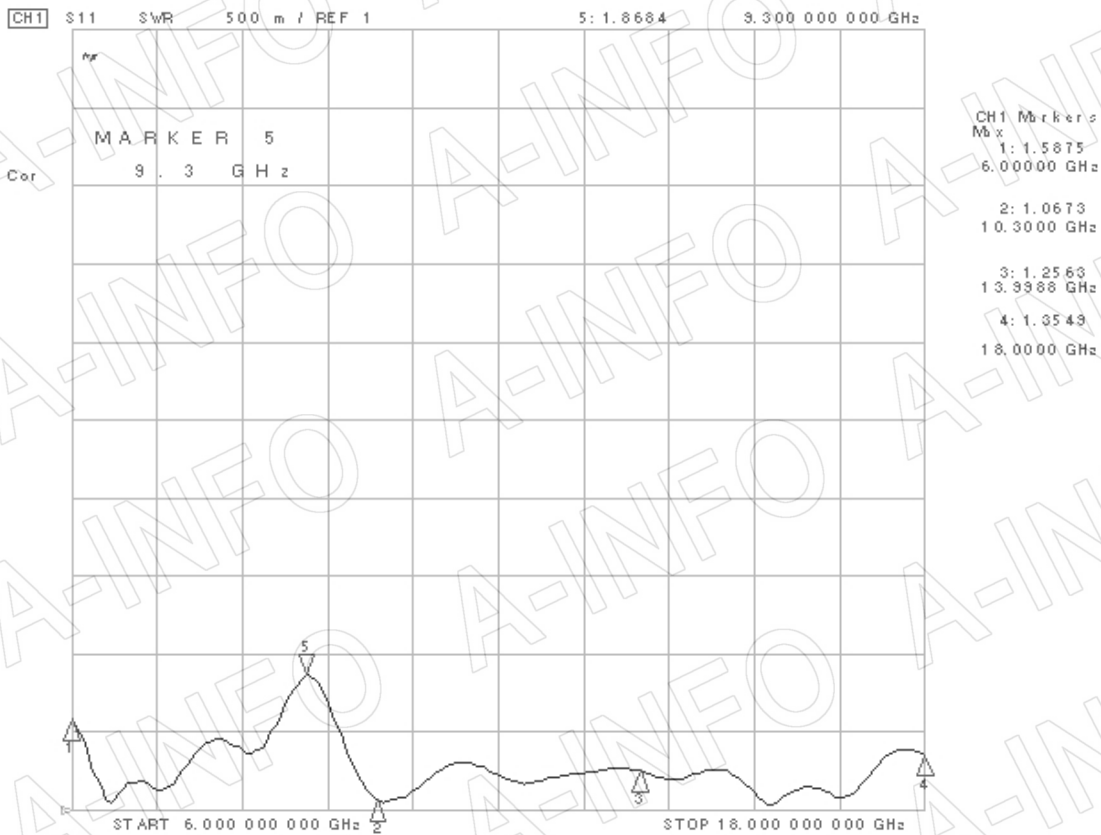
1. Gain & Antenna Factor



2. Cross Polarization Isolation



3. VSWR



4. Pattern

